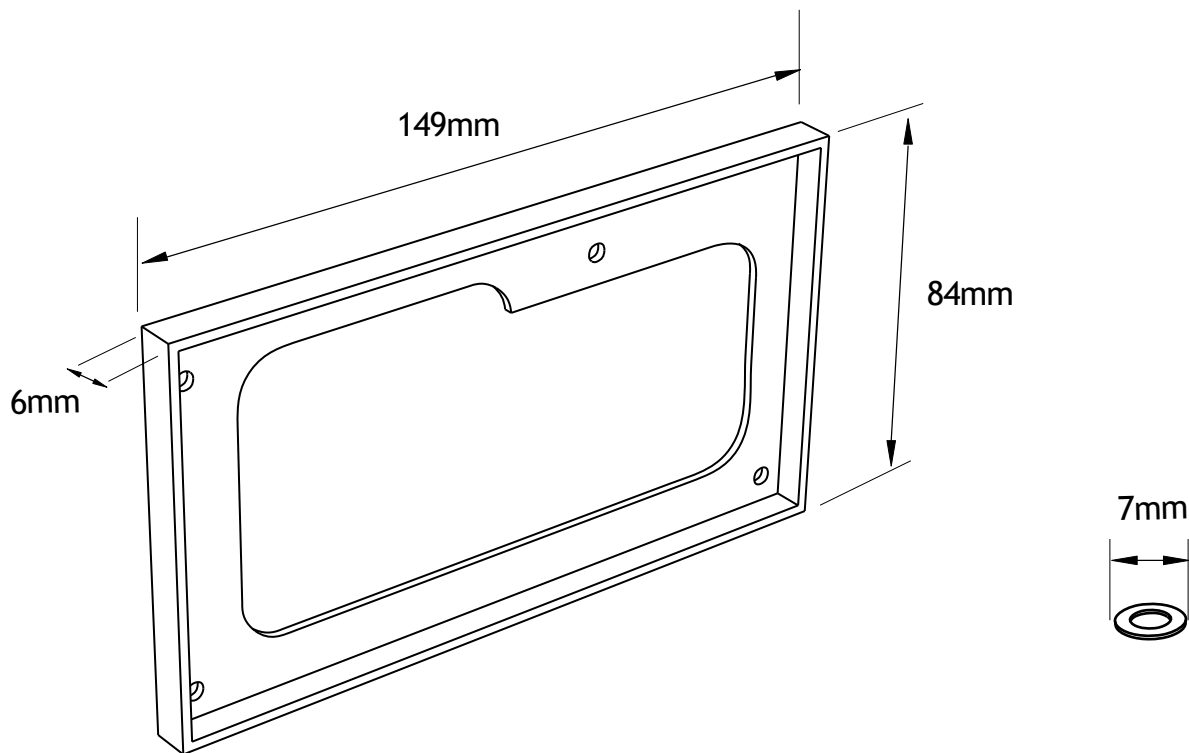


# Power Supply Accessory

## Vibration Dampener Kit

Model: VDK-PSU



### Specifications:

Model: **VDK-PSU**  
Material: **Silica Gel**  
Dimension: **149 x 84 mm**

### Package Includes:

Screw X12  
Screw Washer X12  
Fan Dampener X2

43951 Boscell Road  
Fremont, CA 94538  
Tel: 510-668-0368  
Fax: 510-668-0367

**[www.vantecusa.com](http://www.vantecusa.com)**